

mardeco®

ARCHITECTURAL HARDWARE

MARDECO M-SERIES REFINED SLIDING DOOR HARDWARE



About Mardeco International

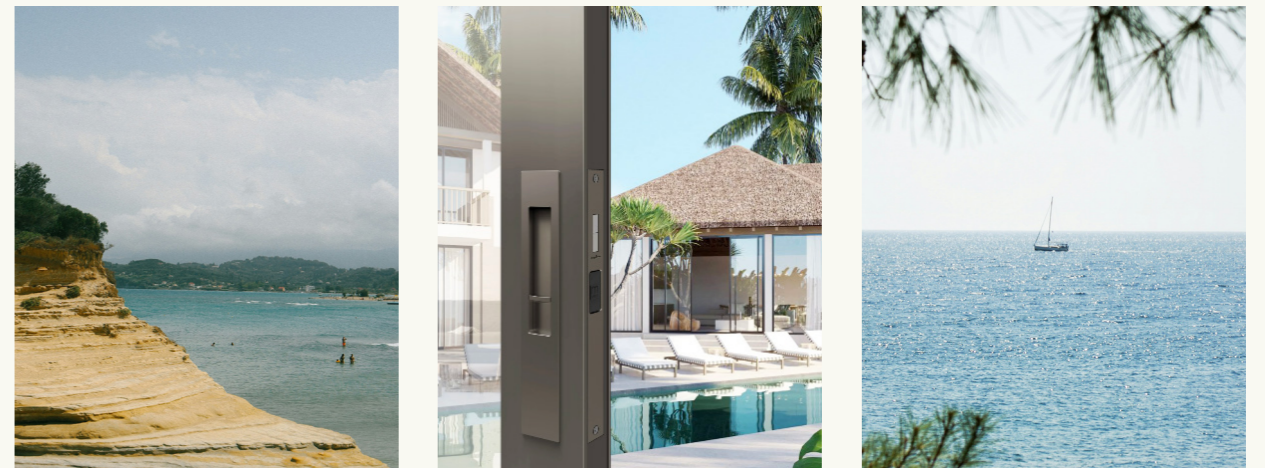
Mardeco International is a respected name in architectural hardware and has built its reputation on high-quality products and a strong focus on design. Based in Auckland, Mardeco has supplied designers, builders and homeowners for more than two decades and continues to be known for reliable service and well-considered hardware solutions.

The company's product portfolio includes kitchen and cabinet hardware, architectural handles, sliding door systems and accessories that support both contemporary and classic interiors. Mardeco has always placed importance on thoughtful detailing, clean design and dependable performance, and these values are reflected across every product range.

Complementing the "Nidus by Carbine" range, Mardeco continues to operate with the same commitment to craftsmanship and product integrity. The partnership strengthens both brands and ensures that customers across Australia and New Zealand receive the same high standard of quality, service and ongoing product support that Mardeco has always been known for.

mardeco[®]
ARCHITECTURAL HARDWARE

Contents



01	8000 Mardeco M-Series	6-7
02	9000 Mardeco M-Series Oval	8-9
03	8100 Mardeco M-Series Euro lock	10-11
04	8003 Mardeco M-Series Off-Set Flush Pull	12-13
05	Finishes Guide / Design Story	14-15



“Form follows function”

Louis Henry Sullivan

American Architect (1856 - 1924)

The quote means that the shape and design of a building or object should be primarily based on its intended purpose and function, rather than on aesthetic considerations alone.



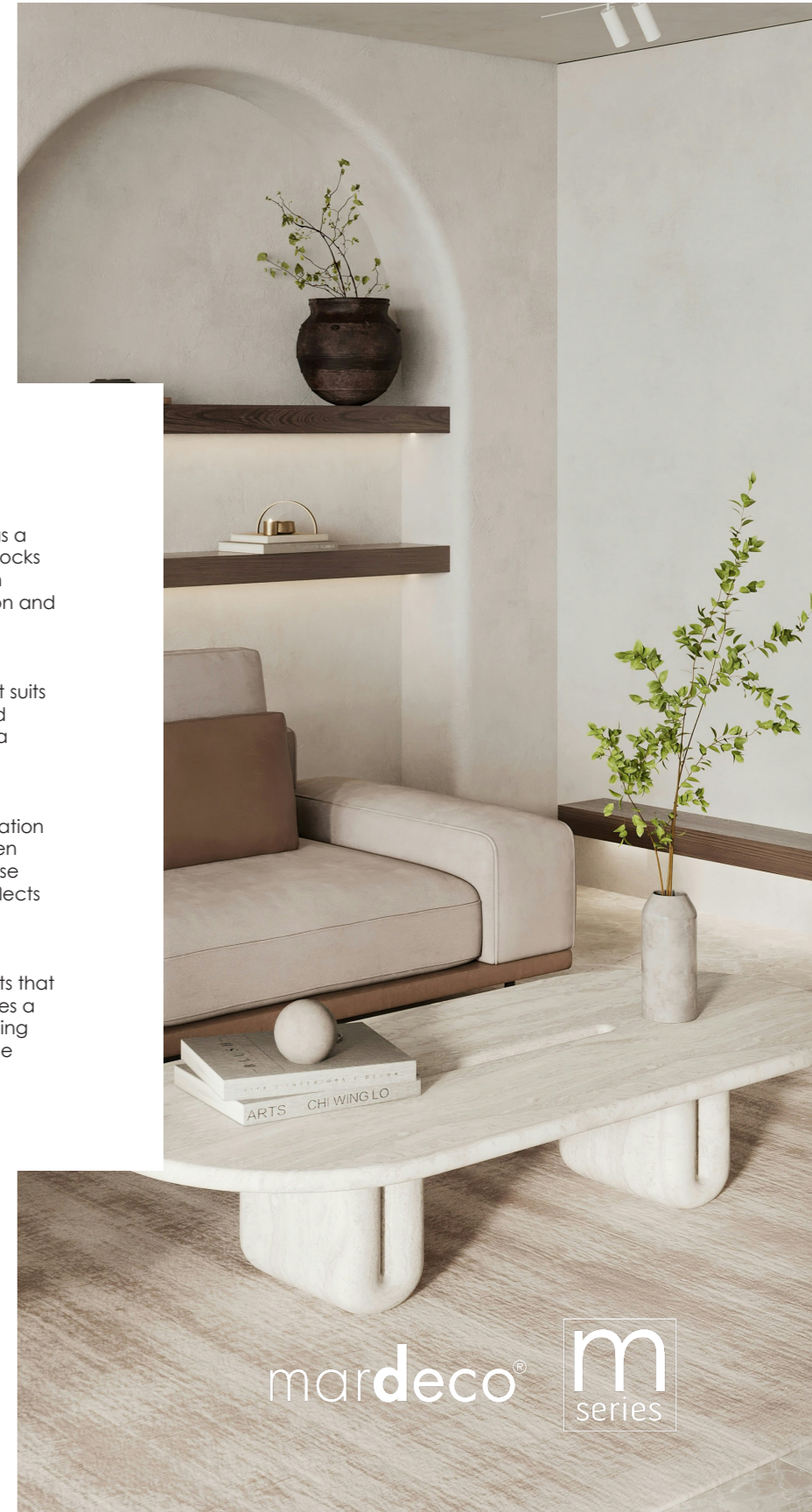
Uncompromising Simplicity

The M-Series range of sliding door hardware brings a fresh approach to flush pull handles and privacy locks for both timber and aluminium sliding doors. Each piece is designed with simplicity, smooth operation and a refined modern aesthetic in mind.

The Mardeco 9000 Oval M-Series continues this direction with a more classic, softened profile that suits a wide range of interior styles. It offers a balanced combination of style and functionality, making it a versatile choice for many project types.

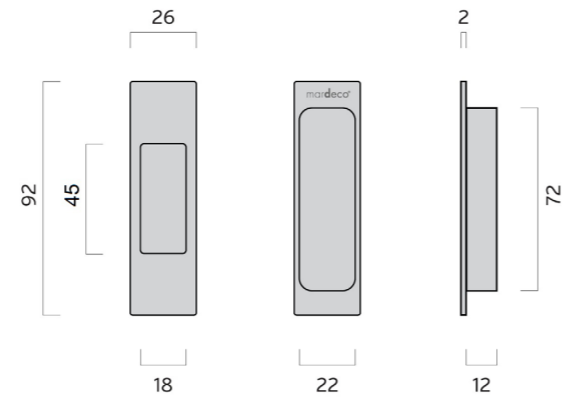
Every detail of the M-Series has been carefully considered. From the hardware itself to the installation resources and packaging, each element has been developed to deliver quality, consistency and ease of use. Designed in New Zealand, the M-Series reflects Mardeco's long-standing focus on good design, dependable performance and attentive service.

With clear installation instructions and components that support multiple applications, the M-Series provides a cohesive and reliable sliding door solution. Choosing the right hardware can feel overwhelming, but the M-Series makes the decision simple.



8000 Mardeco M-Series

8001/92 M-Series Recessed End Pull



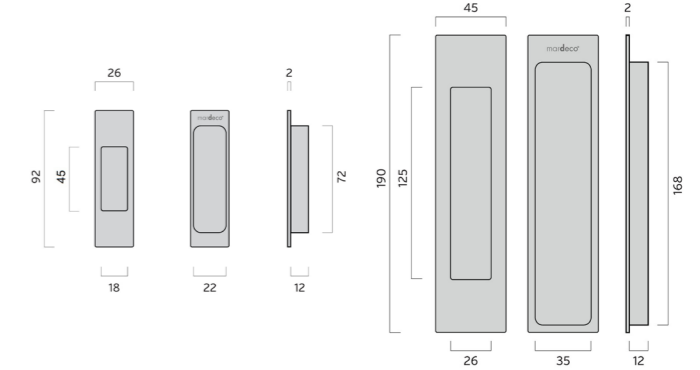
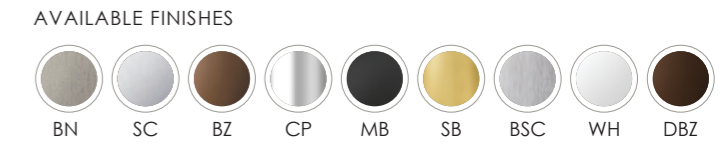
Contents:

- 1 x End Pull
- 1 x Set Fixing Components

Application: Cavity/Sliding Doors (Timber or Aluminium) Kitchen Cabinetry

8000 Mardeco M-Series

8008 M-Series Flush Pull Passage Set

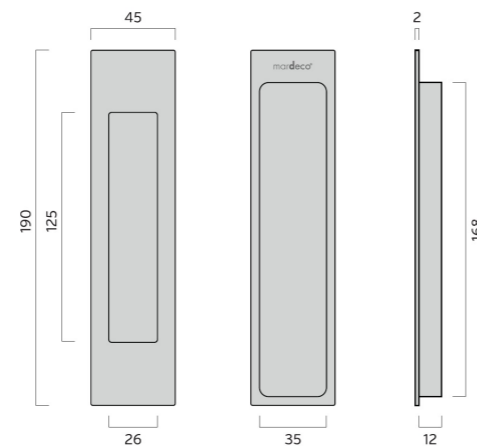
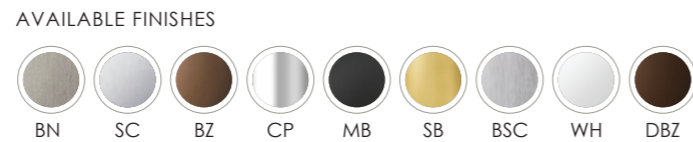


Contents:

- 2 x Flush Pulls
- 1 x End Pull
- 1 x Set Fixing Components

Application: Cavity/Sliding Doors (Timber or Aluminium)

8002/190 M-Series Recessed Flush Pull

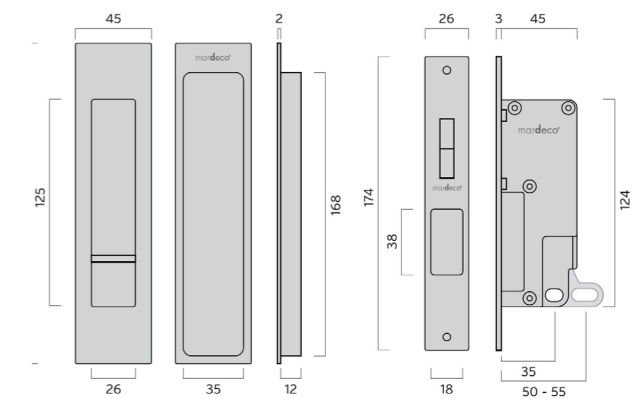
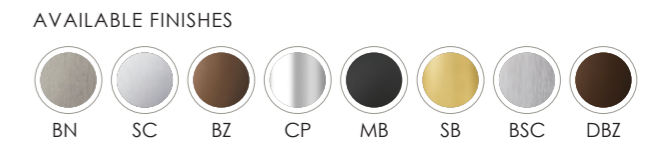


Contents:

- 1 x Flush Pull
- 1 x Set Fixing Components

Application: Cavity/Sliding Doors (Timber or Aluminium) Kitchen Cabinetry

8004 M-Series Flush Pull Privacy Set



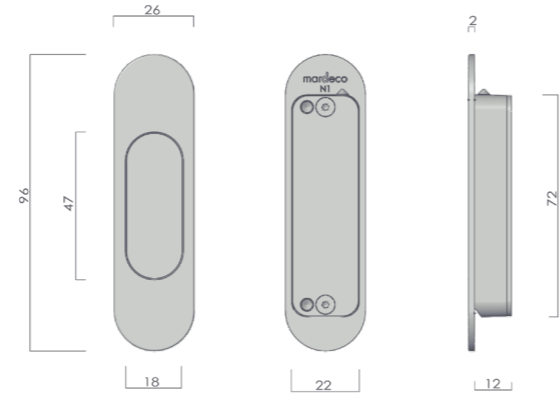
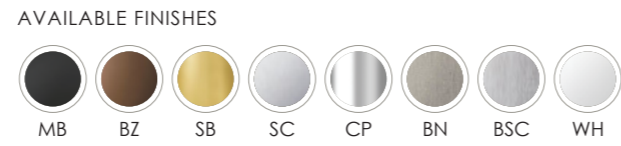
Contents:

- 1 x Flush Pull Privacy Slide
- 1 x Flush Pull Emergency Release
- 1 x Sliding Door Lock
- 1 x Striker Plate & Box
- 1 x 50-55mm solid brass backset (35mm available on request)
- 4 x spindle sizes to suit door thicknesses 34 - 50mm
- 1 x Set Fixing Components

Application: Sliding Doors (Timber or Aluminium)
8006/SET Flush Pull Privacy Set Double Privacy Snib (made to order)

9000 Mardeco Oval M-Series

9001/96 Oval M-Series Recessed End Pull



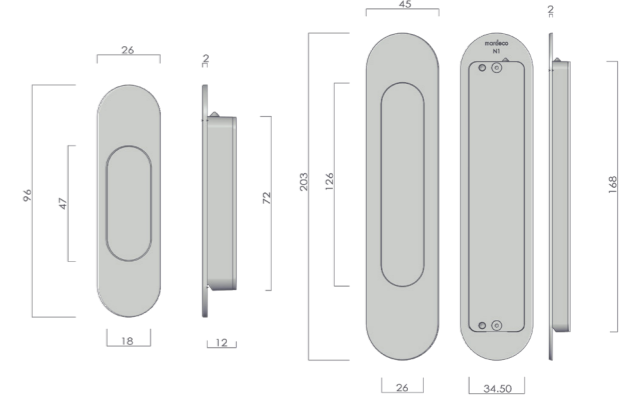
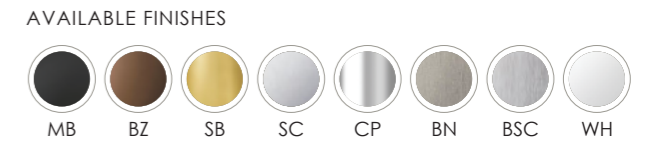
Contents:

- 1 x End Pull
- 1 x Set Fixing Components

Application: Cavity/Sliding Doors (Timber or Aluminium) Cabinetry

9000 Mardeco Oval M-Series

9008 M-Series Flush Pull Passage Set

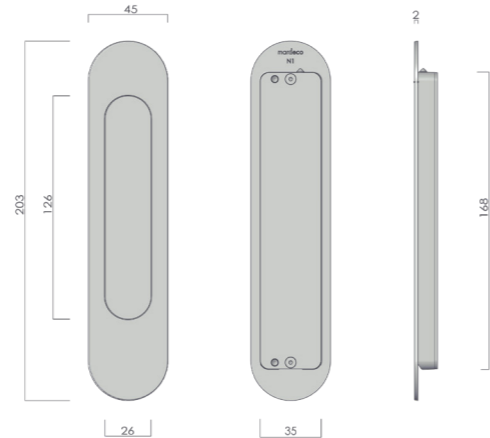
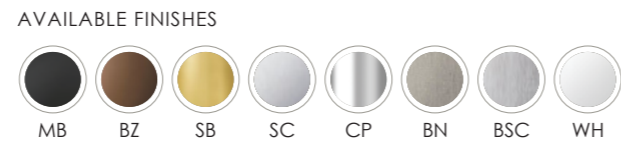


Contents:

- 2 x Flush Pulls
- 1 x End Pull
- 1 x Set Fixing Components

Application: Cavity/Sliding Doors (Timber or Aluminium)

9002/203 Oval M-Series Recessed Flush Pull

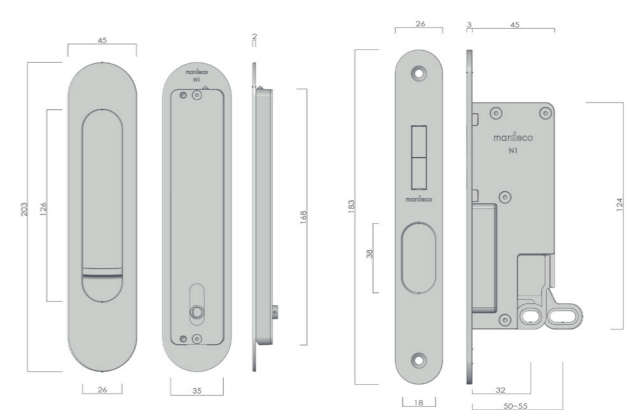


Contents:

- 1 x Flush Pull
- 1 x Set Fixing Components

Application: Cavity/Sliding Doors (Timber or Aluminium)

9004 Oval M-Series Flush Pull Privacy Set



Contents:

- 1 x Flush Pull Privacy Slide
- 1 x Flush Pull Emergency Release
- 1 x Sliding Door Lock
- 1 x Striker Plate & Box
- 1 x 50-55mm solid brass backset (35mm available on request)
- 4 x spindle sizes to suit door thicknesses 34 - 50mm
- 1 x Set Fixing Components

Application: Sliding Doors (Timber or Aluminium)
9006/SET Flush Pull Privacy Set Double Privacy Snib (made to order)

Mardeco M-Series Euro lock

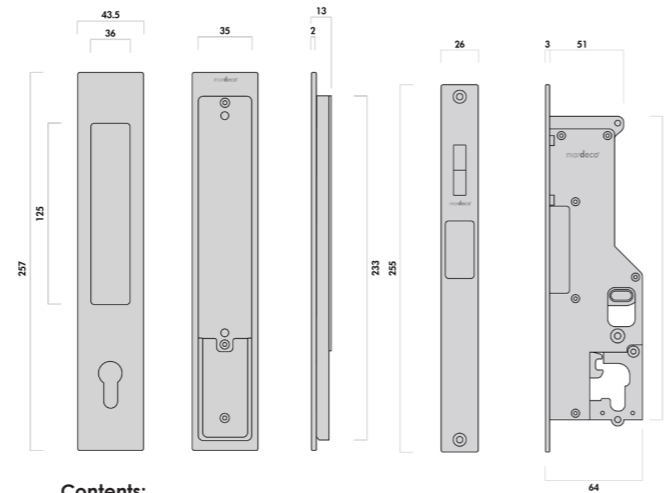
8104/SET M-Series Euro Lock

Exterior Euro Key Hole Plate (Euro Cylinder Sold Separately) Minimum door thickness 35mm



Application: Interior and exterior sliding doors (Timber and Aluminium)
Backset 50 55 mm

AVAILABLE FINISHES



Contents:

- 1 x Flush Pull locking slide
- 1 x Flush Pull Euro keyhole
- 1 x Sliding door mortice lock
- 1 x Adjustable Striker plate & box
- 5 x Spindle sizes to suit door thicknesses 35 - 63mm
- 1 x EPDM Weather seal
- 1 x Set Fixing components

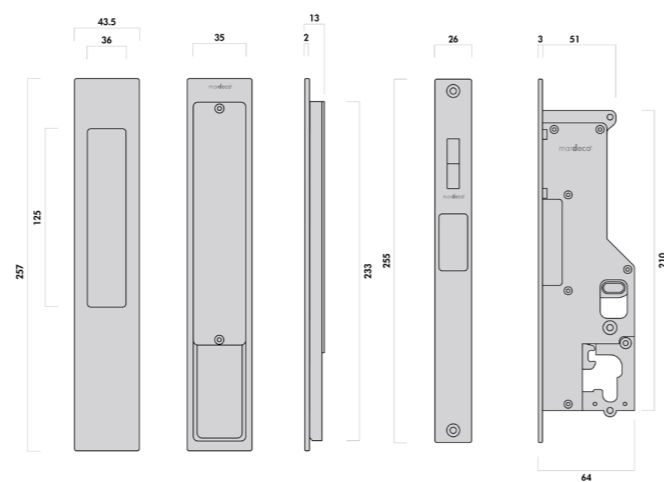
8105/SET M-Series Snib Lock

Exterior Plain Plate



Application: Interior and exterior sliding doors (Timber and Aluminium)
Backset 50 55 mm

AVAILABLE FINISHES



Contents:

- 2 x Flush Pull locking slide
- 1 x Sliding door mortice lock
- 1 x Adjustable Striker plate & box
- 5 x Spindle sizes to suit door thicknesses 35 - 63mm
- 1 x EPDM Weather seal
- 1 x Set Fixing components

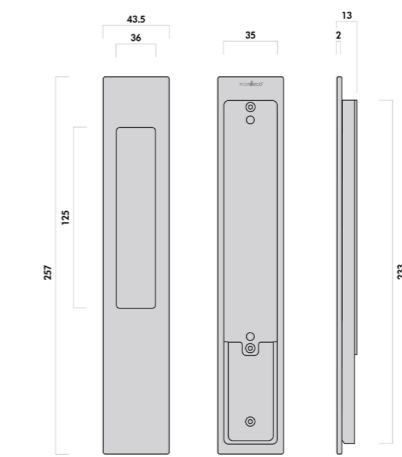
Long Plate Flush Pull

8102 Mardeco M-Series Long Plate Flush Pull

No Key Hole (Matches M-Series 8104/8105 Euro Lock Set)



AVAILABLE FINISHES



Contents:

- 1 x Flush Pull
- 1 x Set Fixing Components

Application: Interior and exterior sliding doors (Timber and Aluminium)

Mardeco C4 Euro Cylinders

4-5 Pin Euro Cylinder C4 Keyway for M-Series 8104 Euro lock KA - KD with confirmation of the door thickness. (KA = keyed alike, KD = keyed to differ)

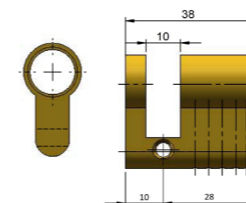
Reverse fit Euro cylinder for larger projection possible. (door thickness from 64 - 90 mm).

AVAILABLE FINISHES



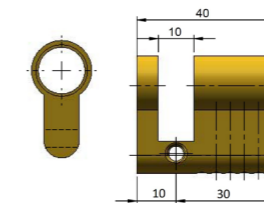
8500/38

C4 Euro Cylinder 28mm CC (38mm overall) KA or KD
Suitable For Door Size: 35 - 39 mm



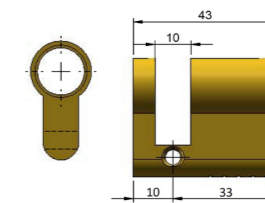
8500/40

C4 Euro Cylinder 30mm CC (40mm overall) KA or KD
Suitable For Door Size: 40 - 43 mm



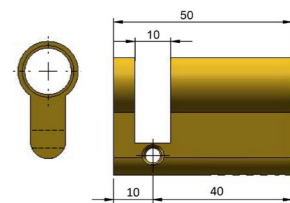
8500/43

C4 Euro Cylinder 33mm (43mm overall) KA or KD
Suitable For Door Size: 44 - 49 mm



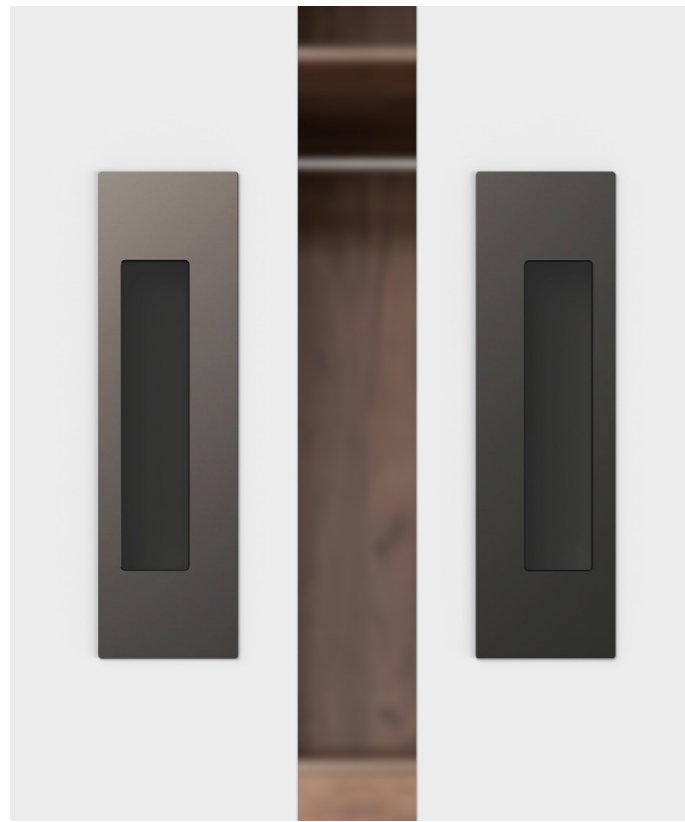
8500/50

C4 Euro Cylinder 40mm (50mm overall) KA or KD
Suitable For Door Size: 50 - 63 mm

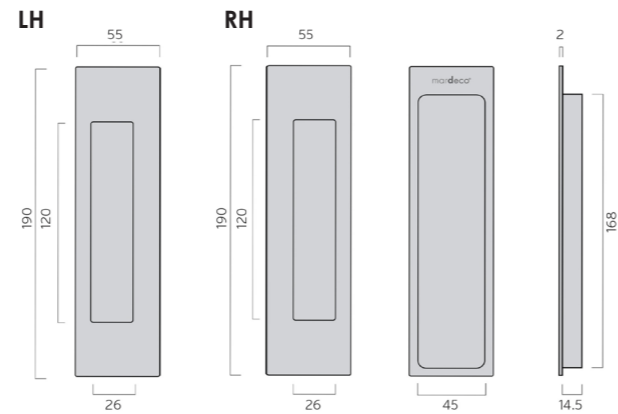
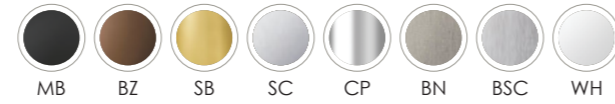


Mardeco M-Series Offset Flush Pull

8003 M-Series Offset Flush Pull



AVAILABLE FINISHES



Contents:

- 1 x Flush Pull
- 1 x Set Fixing Components

8003 M-Series Offset Flush Pull

The 8003 Offset Flush Pull is designed for bi-fold, sliding, pivot and swing doors. Its offset design provides additional grip for improved leverage while maintaining a minimal, architectural appearance.

Suitable for timber and aluminium doors, the 8003 is available in left-hand (LH) and right-hand (RH) configurations and includes full installation instructions, templates and fixings.

Designed in New Zealand, the 8003 Offset Flush Pull reflects Mardeco's focus on quality, thoughtful design and practical functionality. It is created to help customers achieve the look and performance they want with confidence and ease.

Application:

- Application: Bi-fold Doors, Sliding Doors, Swing Doors, Pivot doors
- Material: Zinc Alloy
- Size: 190mm x 55mm x 14.5 mm
- Projection: 2mm
- Suitable for timber and aluminium doors
- Available in eight finishes
- Fixing components, fitting instructions and templates included in the packaging

Please note: Offset Flush Pulls are available in both left-hand (LH) and right-hand (RH) configurations.

mardeco[®]
ARCHITECTURAL HARDWARE





Finishes Guide

Please note: This guide is indicative only - actual finish may vary

<p>MB</p>  <p>MATTE BLACK</p>	<p>BN</p>  <p>BRUSHED NICKEL</p>	<p>BZ</p>  <p>BRONZE</p>
<p>SB</p>  <p>SATIN BRASS</p>	<p>BSC</p>  <p>BRUSHED SATIN CHROME</p>	<p>DBZ</p>  <p>DARK BRONZE</p>
<p>CP</p>  <p>CHROME PLATE</p>	<p>SC</p>  <p>SATIN CHROME</p>	<p>WH</p>  <p>WHITE POWDER COATING</p>

The Design Story Behind the M-Series Range by Mardeco

Mardeco has long been recognised for its focus on thoughtful design and well-crafted architectural hardware. When developing the M-Series, Mardeco set out to bridge a gap in the market by creating a range of sliding door hardware that offered the quality, feel and durability of premium products while delivering excellent value.

The challenge was clear: design a versatile flush pull system that would work seamlessly across different door types, materials and thicknesses, while also delivering a level of refinement not commonly found in standard cavity slider hardware.

To achieve this, Mardeco invested heavily in concept development, rigorous prototyping and precise technical refinement. Every component, from the flush pulls to the locking mechanism, was carefully modelled, tested and improved to ensure smooth operation, intuitive function and lasting performance. The result is a system with interchangeable parts, adaptable backset options and a uniquely positive locking action that feels secure and effortless to use.

Attention to detail extended beyond the hardware itself. Comprehensive installation resources, clear instructions and considered packaging were created to support designers, builders and end users alike, ensuring the full product experience matched the standard of the hardware.

Timeless, modern and engineered for versatility, the M-Series has earned strong customer praise and remains one of Mardeco's most successful innovations. Complementing the Nidus by Carbine range, the M-Series continues to uphold the design values and product quality that define the Mardeco name, offering reliable and beautifully crafted sliding door solutions for contemporary spaces.

mardeco[®]

ARCHITECTURAL HARDWARE

See the huge range of quality architectural hardware at your stockist.

Mardeco Range
P. 1300 643 871
info@mardeco.au
www.mardeco.au

Davcor Group Pty Ltd retain the right to change products and specifications without notice.

Please note: Check our website and/or customer portal for the most up-to-date information on finishes and sizes' availability.

v.2.0-5212 | A DIVISION OF DAVCOR GROUP PTY LTD | ABN. 95 003 562 598

DEALER